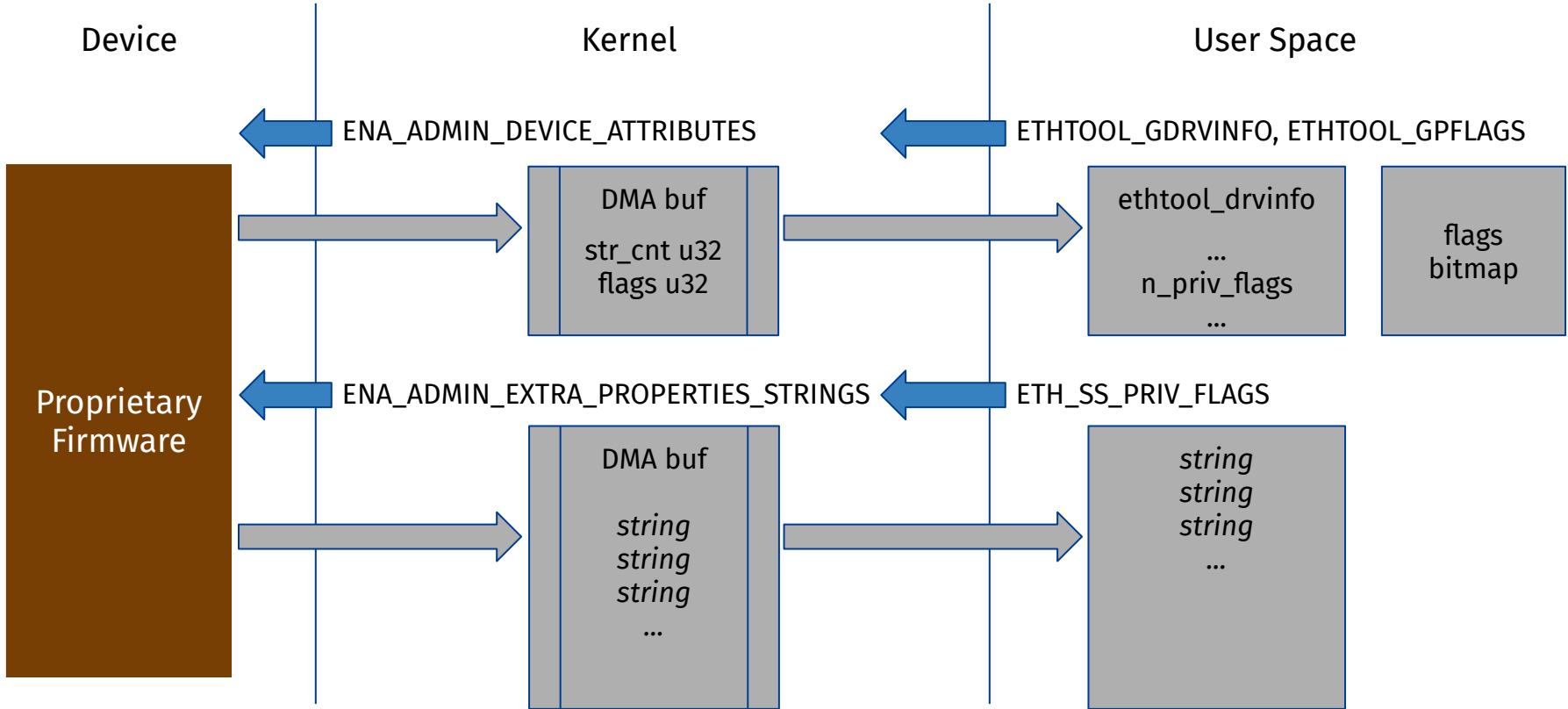
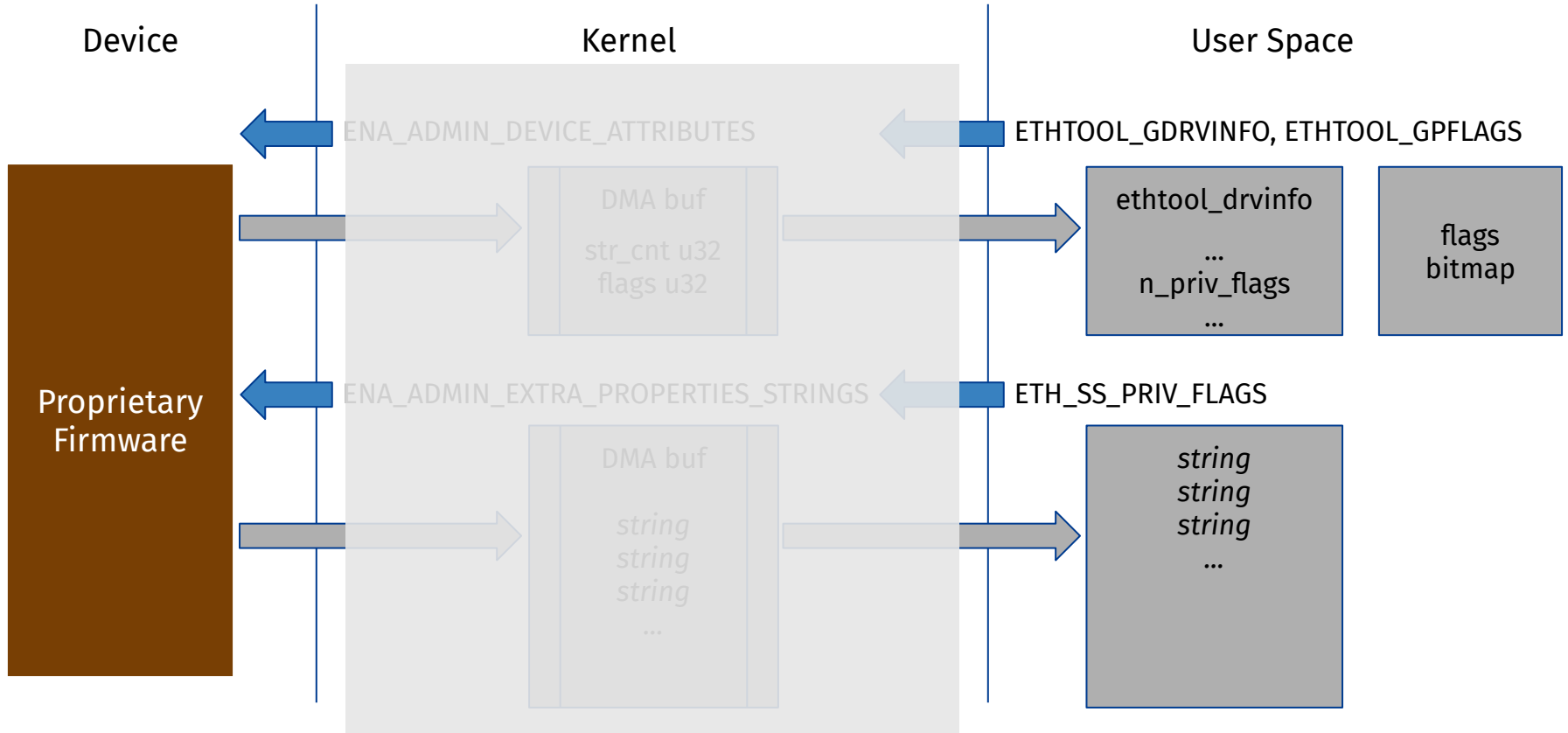


# netconf 2019 topics

Jakub Kicinski <[kuba@kernel.org](mailto:kuba@kernel.org)>

**NETRONOME**



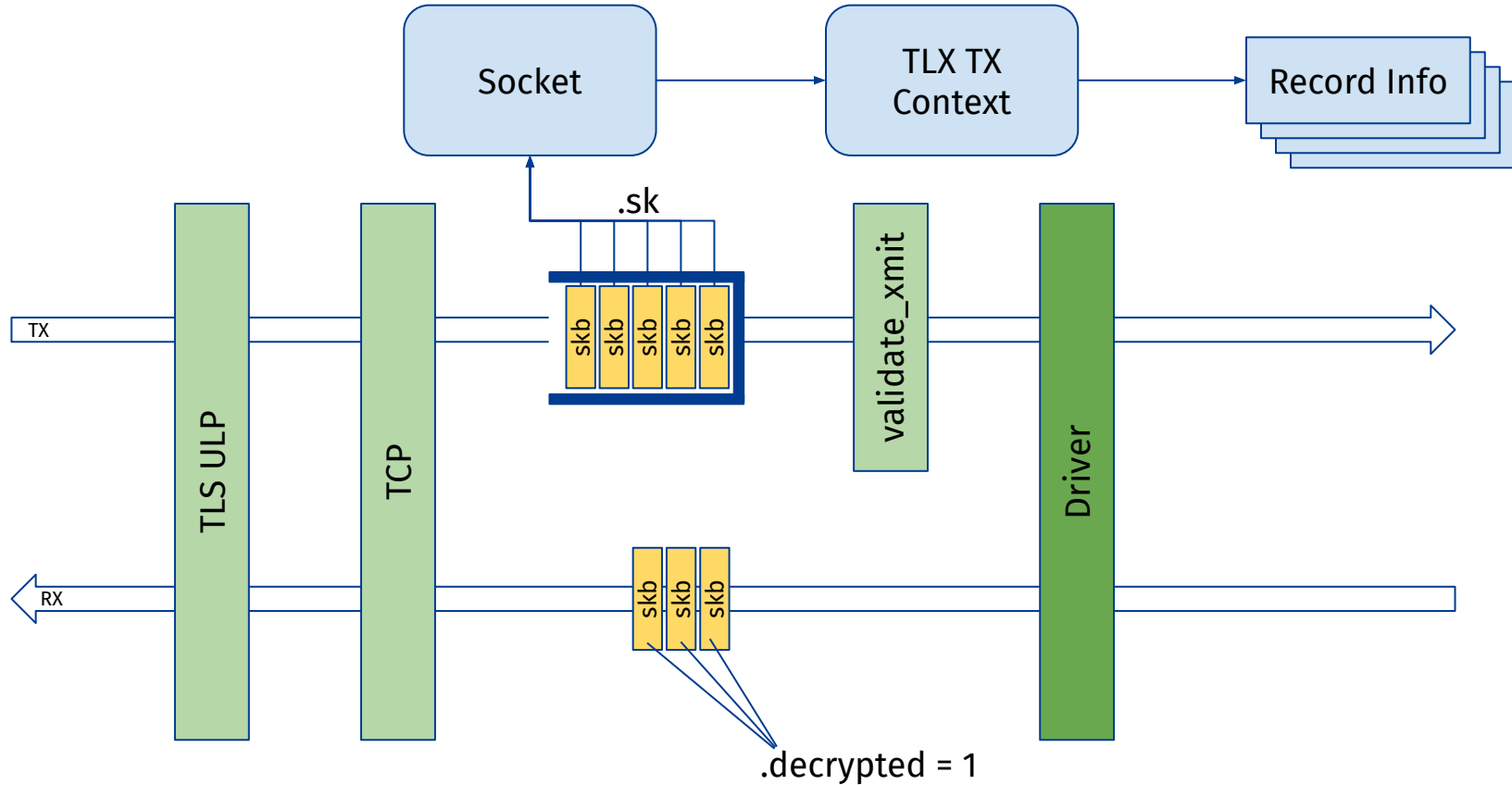


## Reason:

- “Easy,” forward and backward compatible design

## Cons:

- Abuse of existing uAPI (the “it’s obscure enough to make it mean whatever I want” mentality)
- No way to discern the actual functionality being implemented
- No way to avoid breaking the implementation
- No way to implement an interface common across vendors



- Can't orphan
- Can't redirect
- Can't socket redirect
- Basically married to a socket...

